

## General Description

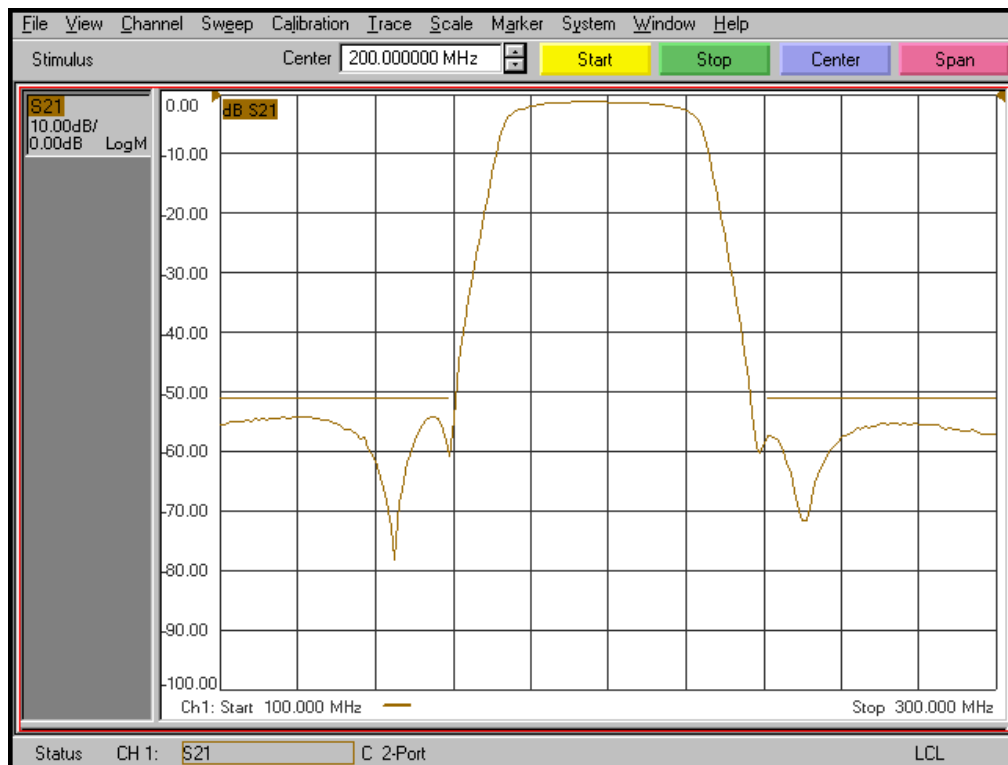
KR Electronics part number 2649-2 is a 200 MHz bandpass filter. The filter has a 40 MHz min 3 dB bandwidth. Other center frequencies and bandwidths are available. Please consult the factory.

## Features

- 200 MHz Center Frequency
- 40 MHz min 3 dB Bandwidth
- 50 dB min Attenuation
- 50  $\Omega$  Source and Load

## Typical Performance

### Overall Response (10 dB/div)



Typical Performance

Passband Amplitude & Group Delay  
(1 dB/div & 10 nsec/div)



Overall Response  
(10 dB/div)



KR Electronics, Inc.  
91 Avenel Street  
Avenel, NJ 07001

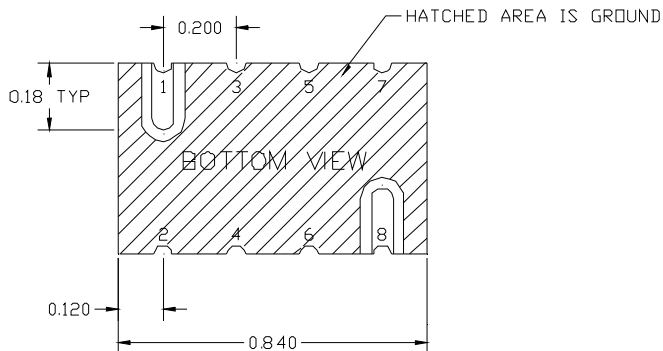
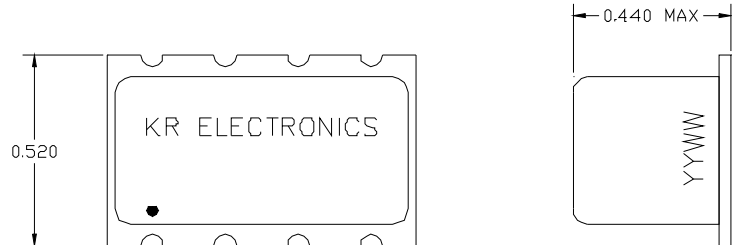
Web [www.krfilters.com](http://www.krfilters.com)  
Email [sales@krfilters.com](mailto:sales@krfilters.com)  
Phone (732) 636-1900  
Fax (732) 636-1982

# KR Electronics, Inc. 2649-2

## Specifications

Parameter	Specification	Notes
Filter type	Bandpass	
Center Frequency	200 MHz	
Insertion Loss	2.5 dB max	1.5 dB typical
Minimum 3 dB Bandwidth	40 MHz	50 MHz typical
Rejection at 159 MHz & 241 MHz	50 dB min	
Source and Load	50 $\Omega$	

## Physical Dimensions



**Notes:**

1. PIN 1 –INPUT
2. PIN 8 –OUTPUT
3. ALL OTHERS ARE GROUND
4. DIMENSIONS IN INCHES
5. MAX REFLOW TEMPERATURE IS 209° C FOR 10 SECONDS

KR Electronics, Inc.  
91 Avenel Street  
Avenel, NJ 07001

Web [www.krfilters.com](http://www.krfilters.com)  
Email [sales@krfilters.com](mailto:sales@krfilters.com)  
Phone (732) 636-1900  
Fax (732) 636-1982