

# KR Electronics 2649-1 Bandpass Filter

## General Description

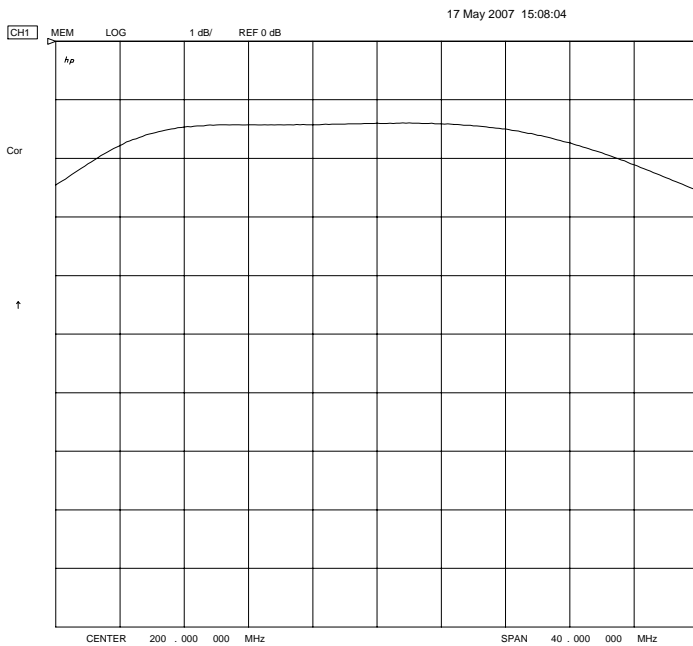
KR 2649-1 is a 200 MHz bandpass filter. Other center frequencies and bandwidths available. Please consult the factory.

## Features

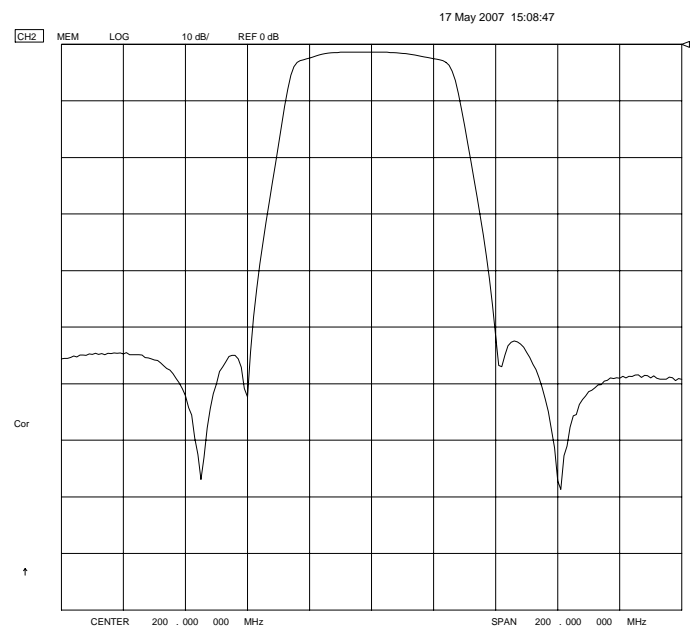
- Surface Mount Package
- Sharp Transition to Stopband
- 50  $\Omega$  Source and Load

## Typical Performance

**Passband Amplitude**  
(1 dB/div)



**Overall Response**  
(10 dB/div)



KR Electronics, Inc.  
91 Avenel Street  
Avenel, NJ 07001

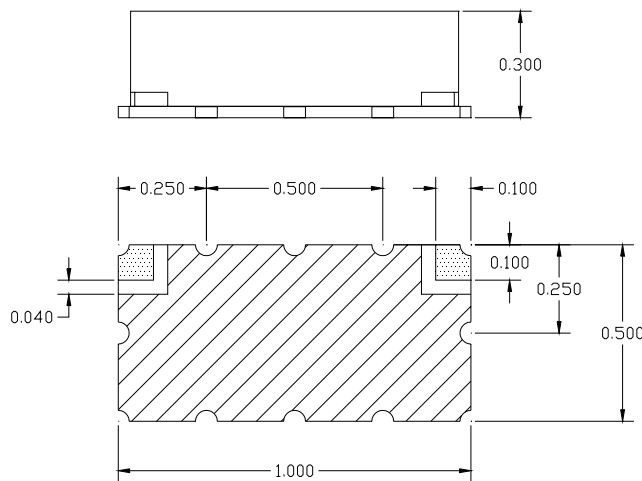
Web [www.krfilters.com](http://www.krfilters.com)  
Email [sales@krfilters.com](mailto:sales@krfilters.com)  
Phone (732) 636-1900  
Fax (732) 636-1982

# KR Electronics 2649-1 Bandpass

## Specifications

Parameter	Specification
Filter type	Bandpass
Center Frequency	200 MHz
Insertion Loss	< 2.5 dB (1.5 dB typical)
Bandwidth (3 dB)	40 MHz min (50 MHz typical)
Stopband Attenuation 159 MHz	50 dB min
Stopband Attenuation 241 MHz	50 dB min
Source and Load	50 Ω

## Physical Dimensions



### Notes:

1. Surface mount package — Metal cover, open frame
2. Dimensions in inches
3. Max reflow temperature 209° C for 10 sec
4. If boards are cleaned after installation, units must be completely dried