

KR Electronics, Inc.

General Description

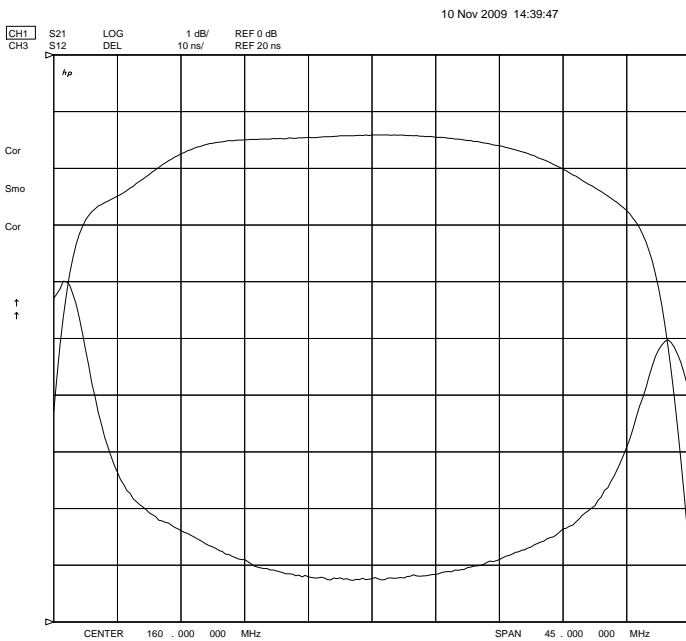
KR Electronics part number 2629-40-1 is a 160 MHz bandpass filters with a minimum 3 dB bandwidth of 40 MHz. Other pass-band frequencies are available. Also available in a surface mount package. Please consult the factory.

Features

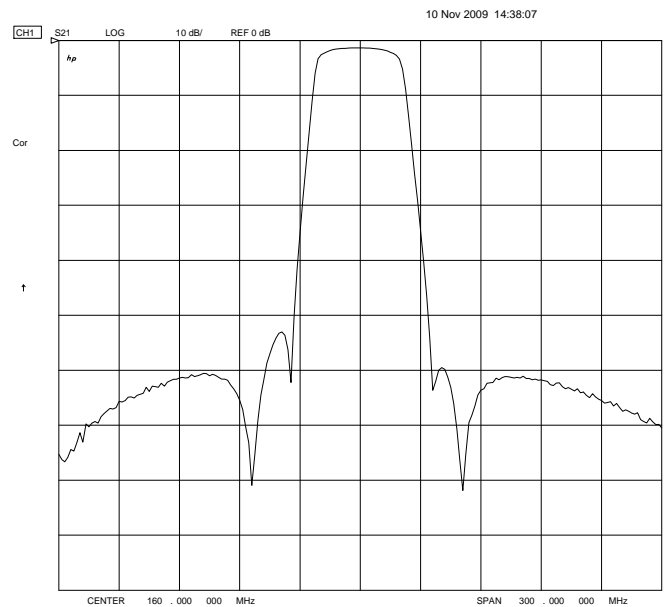
- 160 MHz Bandpass
- 40 MHz min 3 dB Bandwidth
- High Stopband Attenuation
- 50 Ω Source and Load
- Surface Mount

Typical Performance

Passband Amplitude & Group Delay
(1 dB/div and 10 nsec/div)



Overall Response
(10 dB/div)



KR Electronics, Inc.
91 Avenel Street
Avenel, NJ 07001

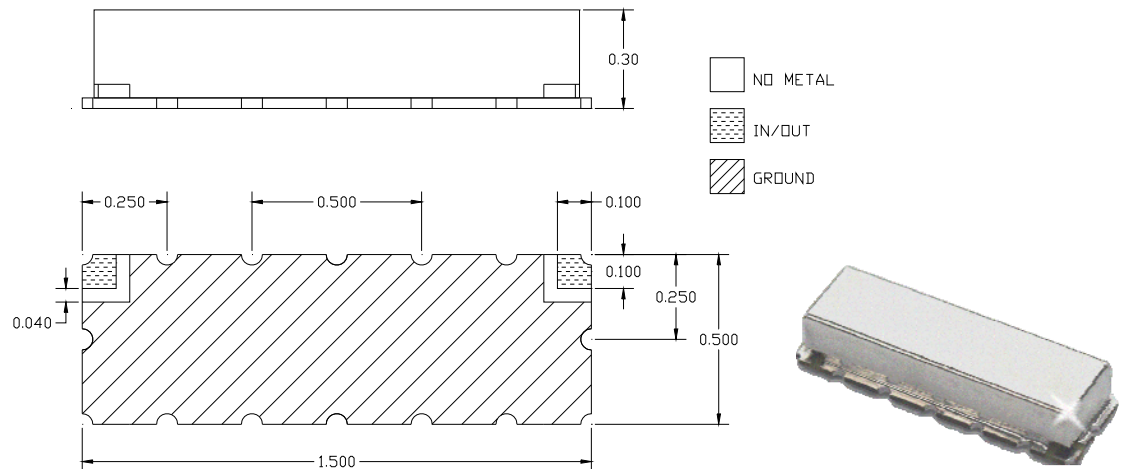
Web www.krfilters.com
Email sales@krfilters.com
Phone (732) 636-1900
Fax (732) 636-1982

KR Electronics 2629-40-1 Bandpass

Specifications

Parameter	Specification
Filter type	Bandpass
Center Frequency	160 MHz
Insertion Loss	< 4 dB (< 2 dB Typical)
3 dB Bandwidth	> 40 MHz
Attenuation at 125 MHz	> 50 dB
Attenuation at 195 MHz	> 50 dB
Source & Load	50 Ω

Physical Dimensions



Notes:

1. Surface mount package, metal cover
2. Dimensions in inches
3. Max reflow temperature 209° C for 10 sec
4. If boards are cleaned after installation units must be completely dried
5. Also available in metal case with SMA connectors

KR Electronics, Inc.
91 Avenel Street
Avenel, NJ 07001

Web www.krfilters.com
Email sales@krfilters.com
Phone (732) 636-1900
Fax (732) 636-1982