

KR Electronics 2529 Bandpass Filter

General Description

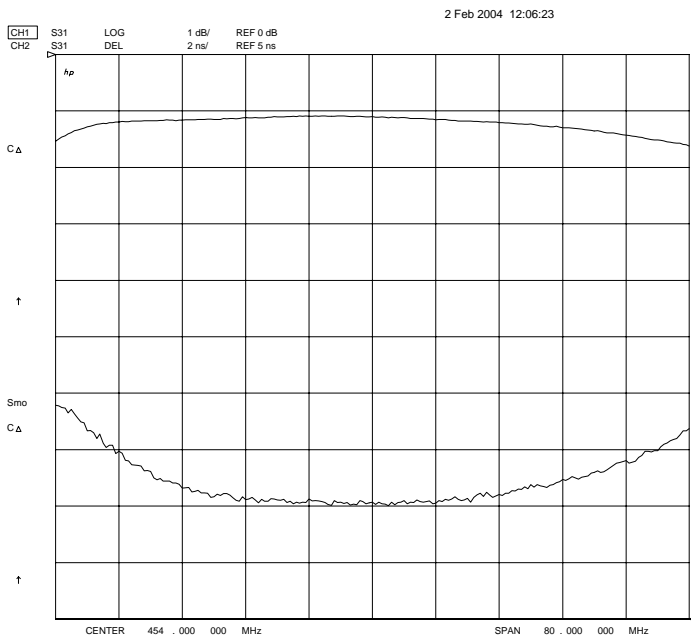
KR 2529 is a 454 MHz surface mount bandpass filter. Other center frequencies and bandwidths available. Please consult the factory.

Features

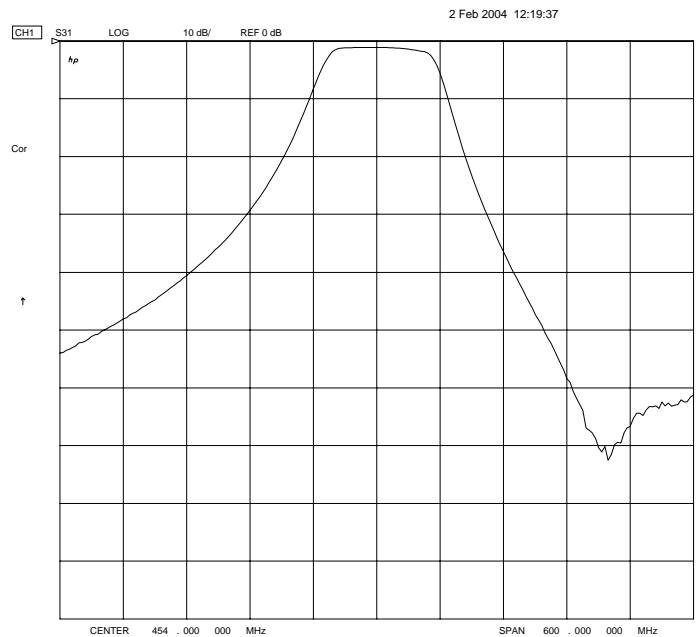
- Surface Mount Package
- 454 MHz Center Frequency
- BW_{1dB} 80 MHz min
- >40 dB Stopband
- 50 Ω Source and Load

Typical Performance

Passband Amplitude & Group Delay
(1 dB/div & 2 nsec/div)



Overall Response
(10 dB/div)



KR Electronics, Inc.
91 Avenel Street
Avenel, NJ 07001

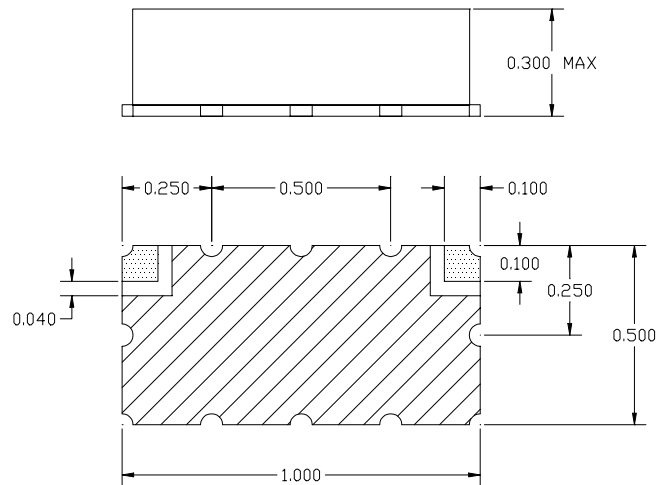
Web www.krfilters.com
Email sales@krfilters.com
Phone (732) 636-1900
Fax (732) 636-1982

KR Electronics 2529 Bandpass

Specifications

Parameter	Specification
Filter type	Bandpass
Center Frequency	454 MHz
Insertion Loss	< 3 dB (1.5 dB Typical)
Attenuation at 250 MHz	> 40 dB
Attenuation at 414 MHz	< 1 dB
Attenuation at 494 MHz	< 1 dB
Attenuation at 706 MHz	> 40 dB
Source and Load	50 Ω

Physical Dimensions



Notes:

1. Surface mount package — Metal cover, open frame
2. Dimensions in inches
3. Use SN60 or SN63 solder during installation
4. If boards are cleaned after installation, units must be completely dried to remove any entrapped moisture that will effect electrical performance