

KR Electronics 2515 Lowpass Filter

General Description

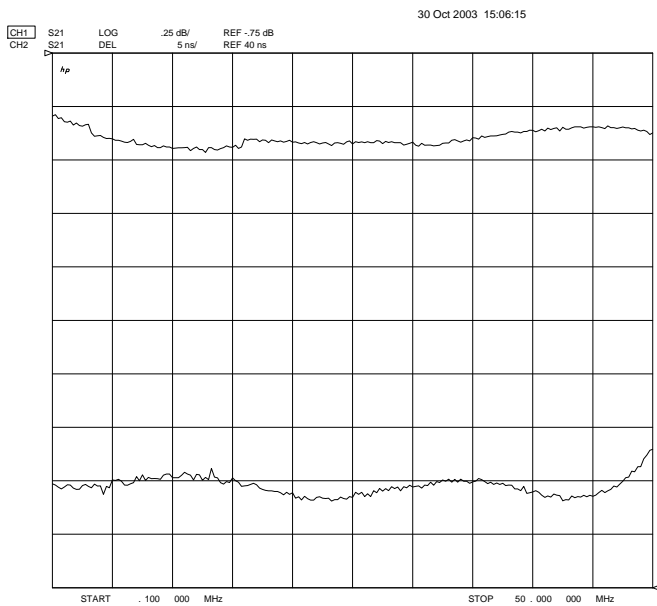
KR 2515 is a 50 MHz lowpass filter. The filter is group delay equalized and amplitude equalized. Please consult the factory for other passband or sampling frequencies.

Features

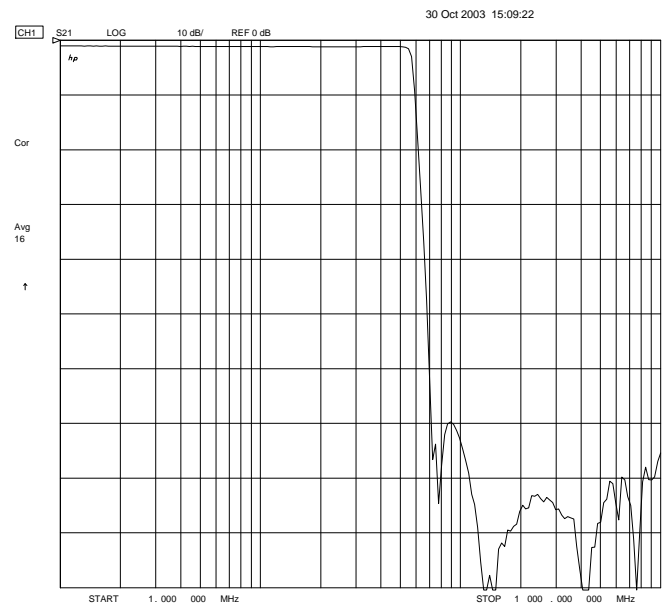
- 50 MHz passband
- Sharp transition to 60 dB
- 50 Ω
- SMA connectors

Typical Performance

Passband Amplitude & Group Delay
(0.25 dB/div & 5 nsec/div 100 KHz to 50 MHz)



Overall Response
(10 dB/div 1MHz to 1 GHz)



KR Electronics, Inc.
91 Avenel Street
Avenel, NJ 07001

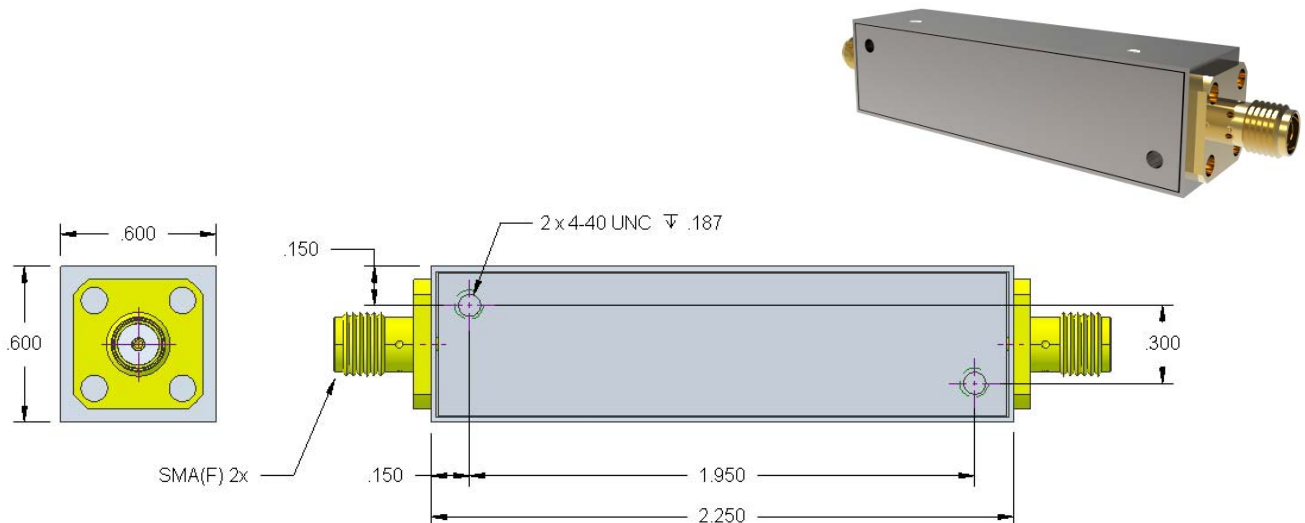
Web www.krfilters.com
Email sales@krfilters.com
Phone (732) 636-1900
Fax (732) 636-1982

KR 2515

Specifications

Parameter	Specification
Filter type	Lowpass
End of Passband (< 0.25 dB)	50 MHz
Insertion Loss (at 100 KHz)	< 2 dB (1 dB Typical)
Group Delay Ripple to 44 MHz	< 5 nsec
Group Delay Ripple to 50 MHz	< 12 nsec
Attenuation at 68 MHz	> 40 dB
Attenuation at 73.6 MHz	> 60 dB
Source & Load	50 Ω

Physical Dimensions



Notes:

1. Dimensions in inches
2. Rectangular case
3. Also available in surface mount package part number 2515-S

KR Electronics, Inc.
91 Avenel Street
Avenel, NJ 07001

Web www.krfilters.com
Email sales@krfilters.com
Phone (732) 636-1900
Fax (732) 636-1982