

KR 2511 Lowpass Filter

General Description

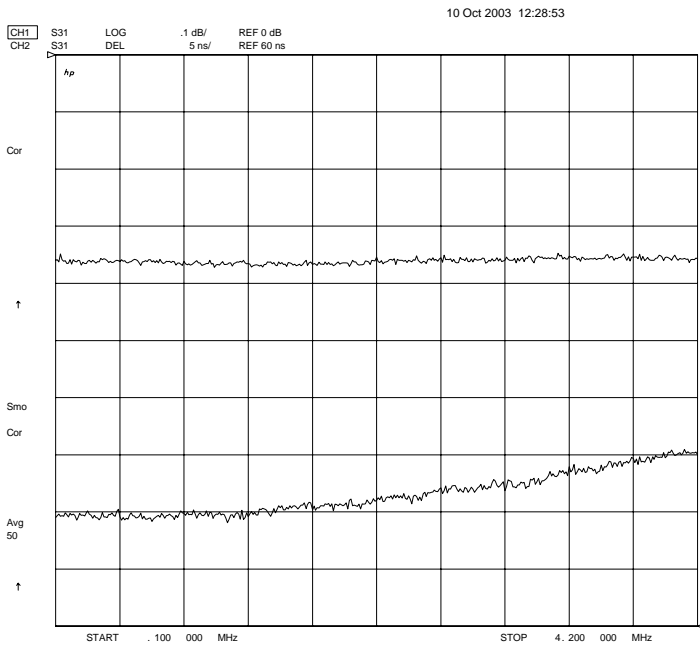
KR 2511 is a 4.2 MHz lowpass filter. Other passband frequencies are available. Please consult the factory.

Features

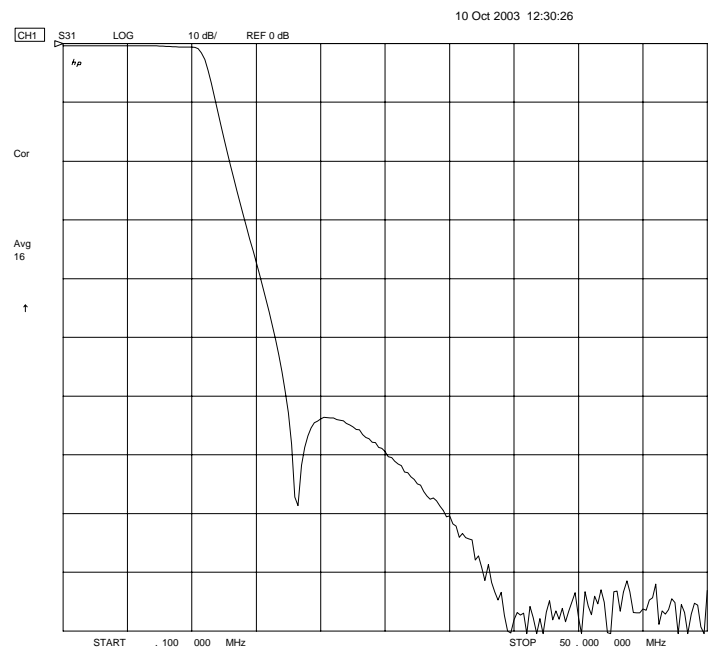
- High stopband loss
- 75 Ω Source and Load

Typical Performance

Passband Amplitude & Group Delay
(0.1 dB/div and 5 nsec/div to 4.2 MHz)



Overall Response
(10 dB/div to 50 MHz)



KR Electronics, Inc.
91 Avenel Street
Avenel, NJ 07001

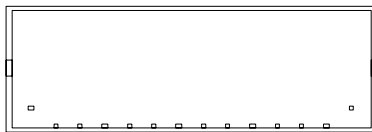
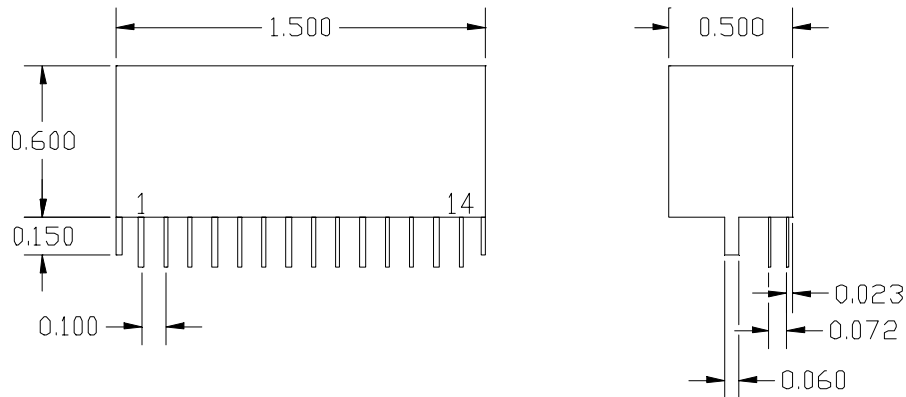
Web www.krfilters.com
Email sales@krfilters.com
Phone (732) 636-1900
Fax (732) 636-1982

KR 2511 Lowpass Filter

Specifications

| Parameter | Specification |
|----------------------------------|---------------|
| Filter type | Lowpass |
| End of Passband | 4.2 MHz |
| Insertion Loss | < 0.5 dB |
| Passband Ripple to 4.2 MHz | < 0.1 dB |
| Group Delay Deviation to 4.2 MHz | < 15 nsec |
| > 45 dB at | 17 MHz |
| > 75 dB at | >30 MHz |
| Source & Load | 75 Ω |

Physical Dimensions



NOTES:

1. TOLERANCE ± 0.010 "
2. PINS ARE 0.010 " \times 0.020 " (14 PLCS)
3. CASE TABS ARE 0.015 " \times 0.060 " (2 PLCS)
4. PIN 1 IS INPUT
5. PIN 14 IS OUTPUT
6. PIN 2 THRU 13 ARE GROUND
7. NOTE PIN 1 AND 14 ARE OFFSET