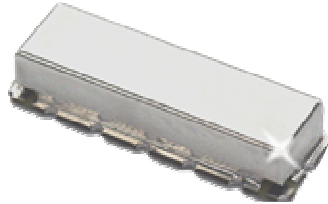


KR 2510 Bandpass Filter

General Description

KR 2510 is a 40 MHz surface mount bandpass filter. Other center frequencies and bandwidths available. Please consult the factory.

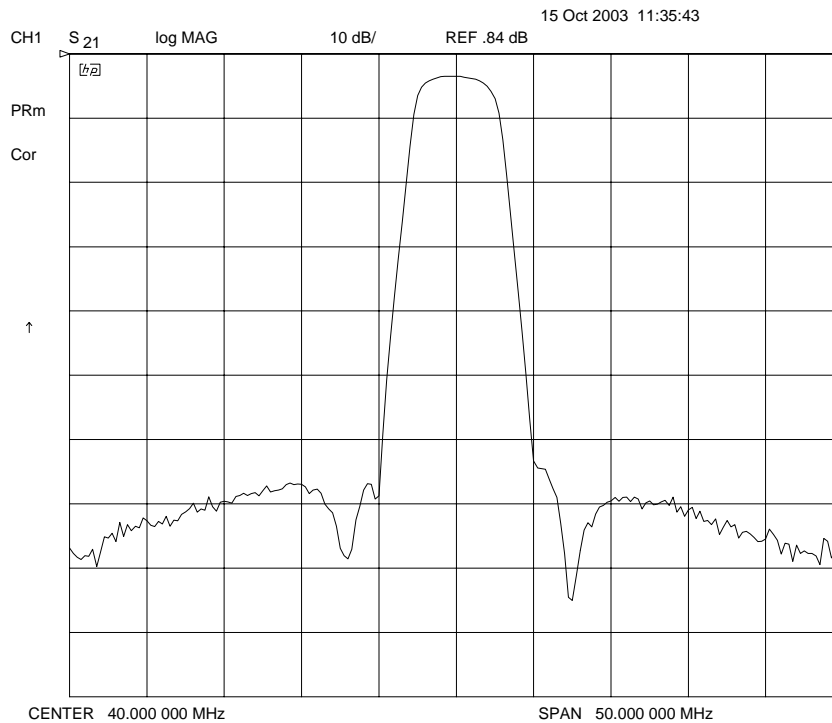


Features

- Surface Mount Package
- Sharp Transition to Stopband
- >55 dB Stopband
- 50 Ω Source and Load

Typical Performance

Overall Response
(10 dB/div)

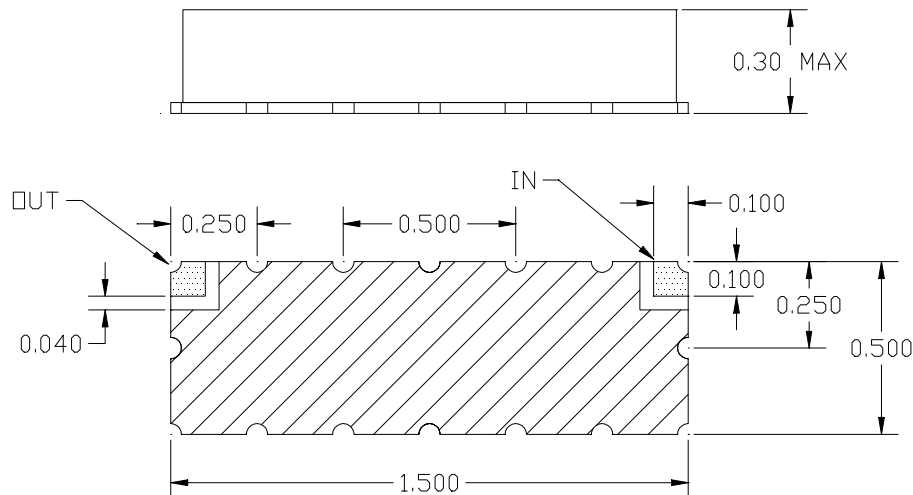


KR 2510 Bandpass

Specifications

Parameter	Specification
Filter type	Bandpass
Center Frequency	40 MHz
Insertion Loss	< 5 dB (2.5 dB typical)
Min 3 dB Bandwidth	4 MHz
Max 55 dB Bandwidth	10 MHz
Source and Load	50 Ω

Physical Dimensions



Notes:

1. Surface mount package — Metal cover, open frame
2. Dimensions in inches
3. Use SN60 or SN63 solder during installation
4. If boards are cleaned after installation, units must be completely dried to remove any entrapped moisture that will effect electrical