

KR 2510-SMA Bandpass Filter

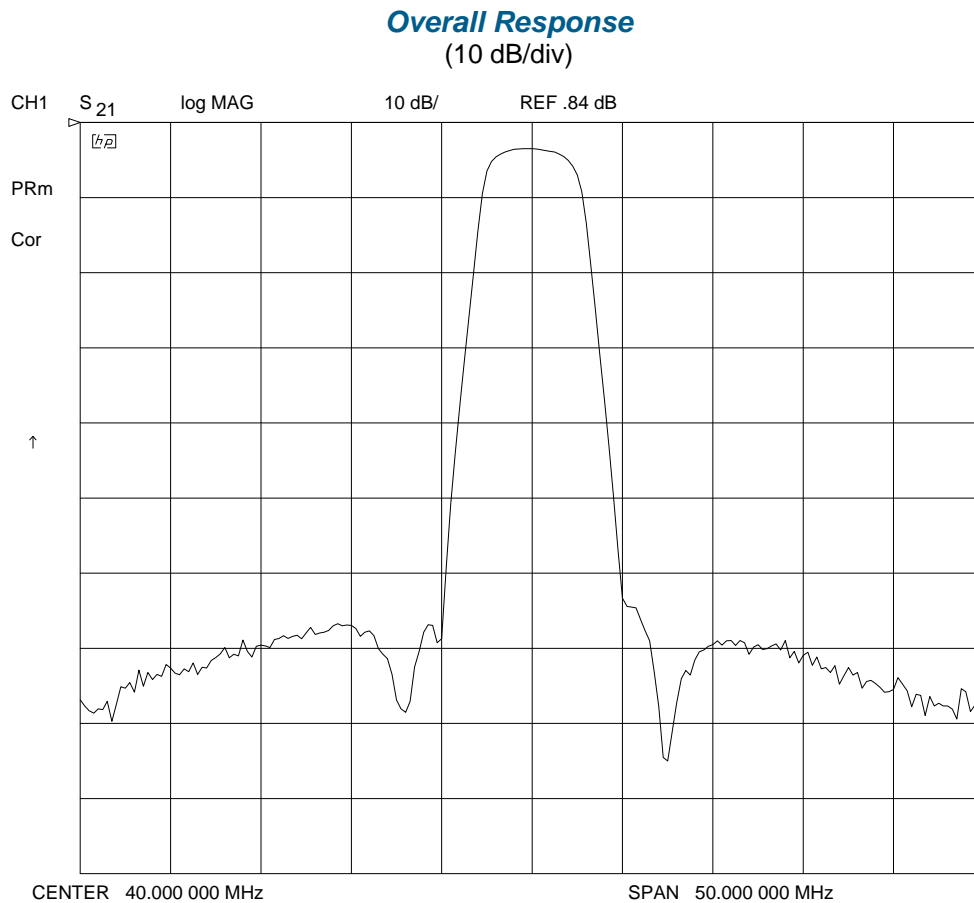
General Description

KR 2510-SMA is a 40 MHz bandpass filter. Other center frequencies and bandwidths available. Please consult the factory.

Features

- SMA Connectors
- Sharp Transition to Stopband
- >55 dB Stopband
- 50 Ω Source and Load

Typical Performance

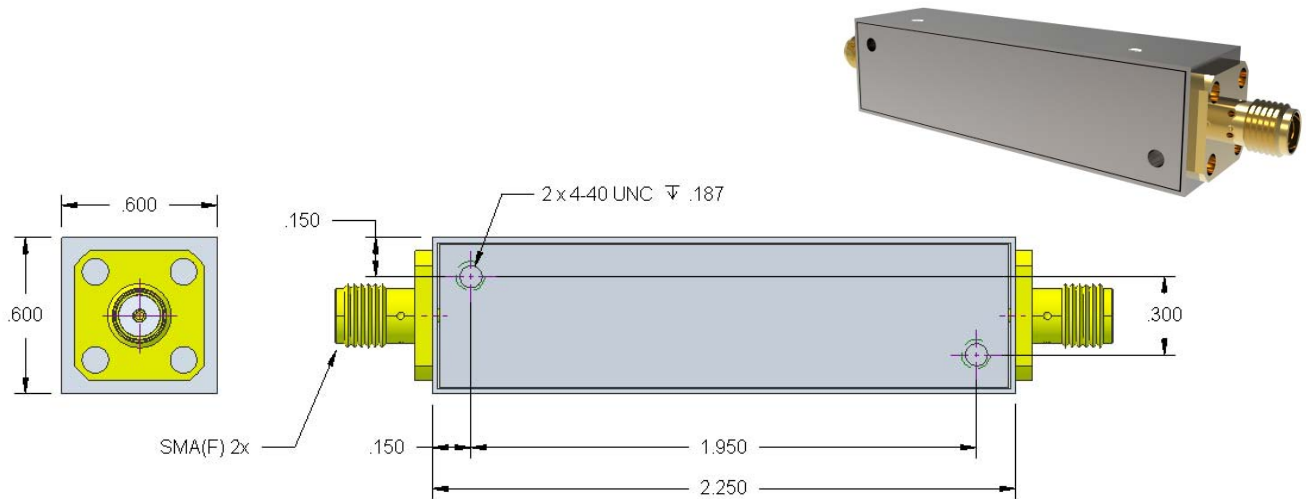


KR 2510-SMA Bandpass

Specifications

Parameter	Specification
Filter type	Bandpass
Center Frequency	40 MHz
Insertion Loss	< 5 dB (2.5 dB typical)
Min 3 dB Bandwidth	4 MHz (4.8 MHz typical)
Max 55 dB Bandwidth	10 MHz (9.5 MHz typical)
Source and Load	50 Ω

Physical Dimensions



Notes:

1. Dimensions in inches
2. Metal Case
3. SMA(F) Connectors
4. Also available in surface mount package