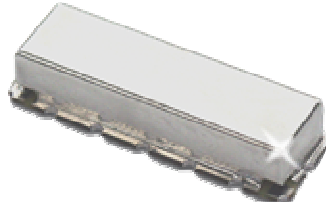


# KR 2502 Bandpass Filter

## General Description

KR 2502 is a 70 MHz surface mount bandpass filter. Other center frequencies and bandwidths available. Please consult the factory.

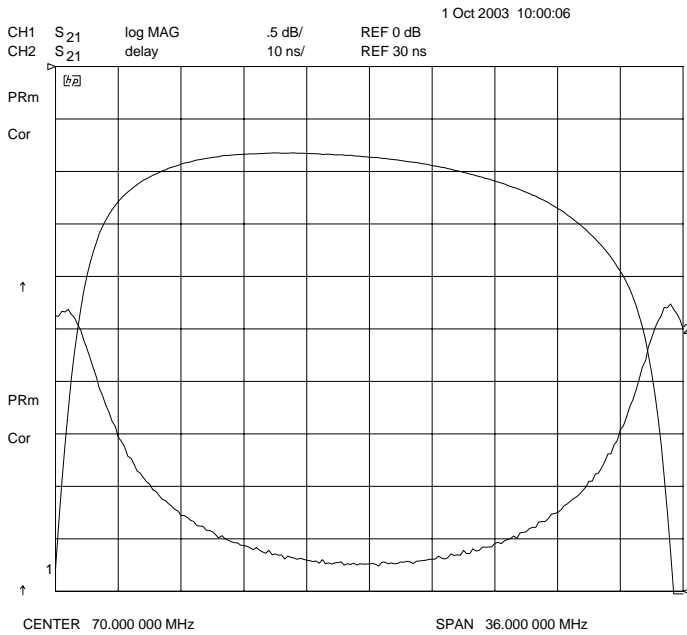


## Features

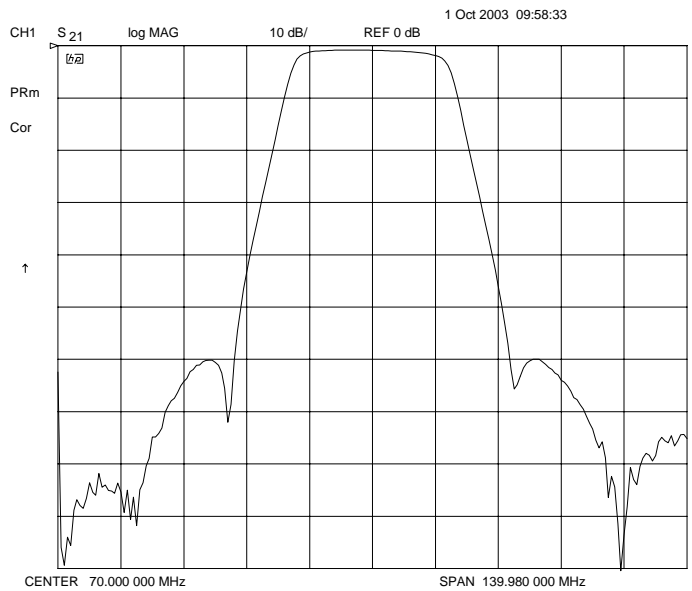
- Surface Mount Package
- Sharp Transition to Stopband
- >55 dB Stopband
- 75  $\Omega$  Source and Load

## Typical Performance

**Passband Amplitude & Group Delay**  
(0.5 dB/div and 10 nsec/div)



**Overall Response**  
(10 dB/div)



KR Electronics, Inc.  
91 Avenel Street  
Avenel, NJ 07001

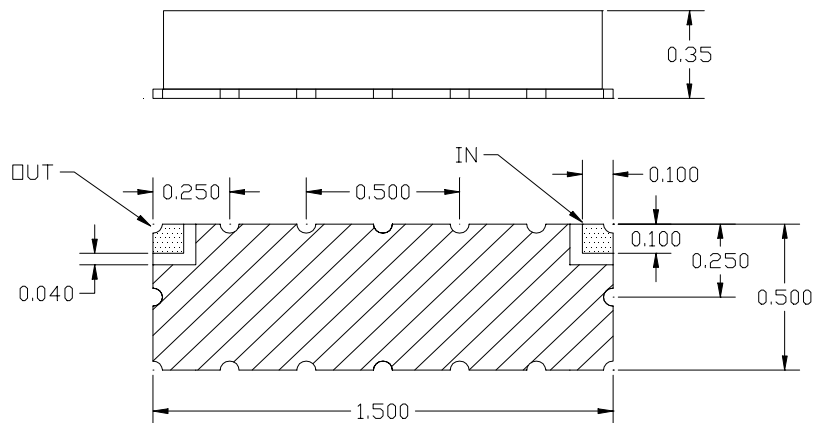
Web [www.krfilters.com](http://www.krfilters.com)  
Email [sales@krfilters.com](mailto:sales@krfilters.com)  
Phone (732) 636-1900  
Fax (732) 636-1982

# KR 2502 Bandpass

## Specifications

Parameter	Specification
Filter type	Bandpass
Center Frequency	70 MHz
Insertion Loss	< 2 dB (<1 dB typical)
Min 1 dB Bandwidth	24 MHz
Max 55 dB Bandwidth	80 MHz
Source and Load	75 Ω

## Physical Dimensions



**Notes:**

1. Surface mount package — Metal cover, open frame
2. Dimensions in inches
3. Use SN60 or SN63 solder during installation
4. If boards are cleaned after installation, units must be completely dried to remove any entrapped moisture that will effect electrical performance