

# KR 2441 Bandpass Filter

## General Description

KR 2441 is a 70 MHz bandpass filter. The filter is supplied with SMA connectors. It can also be ordered in a surface mount package of 0.5 x 1.5 x 0.35". Other center frequencies and bandwidths available. Please consult the factory.

## Features

- Surface Mount Package
- Sharp Transition to Stopband
- >55 dB Stopband
- 50  $\Omega$  Source and Load

## Typical Performance

**Passband Amplitude**  
(0.5 dB/div)

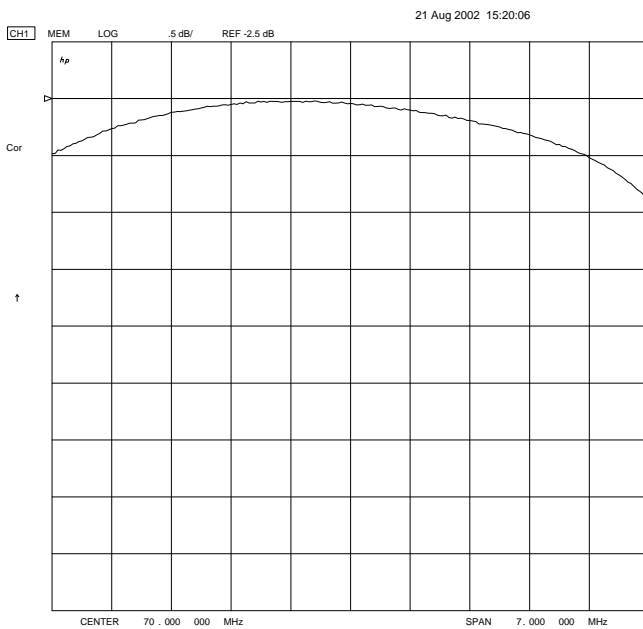


Figure 1

**Overall Response**  
(10 dB/div)

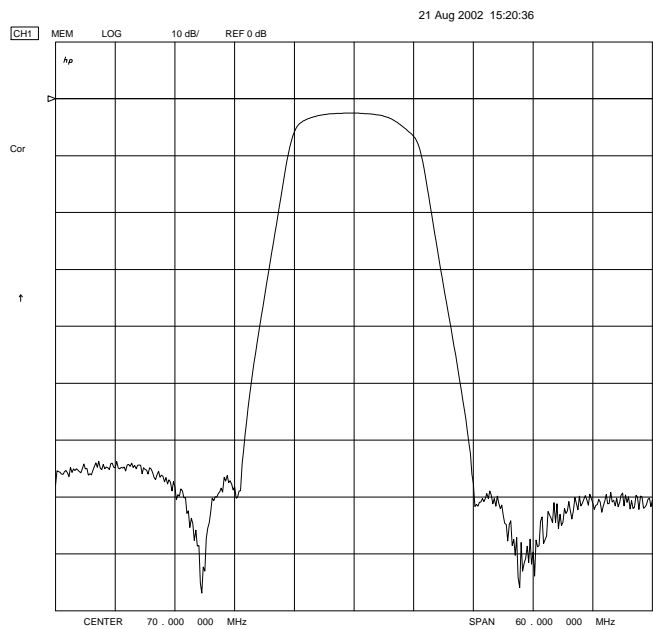


Figure 2

KR Electronics, Inc.  
91 Avenel Street  
Avenel, NJ 07001

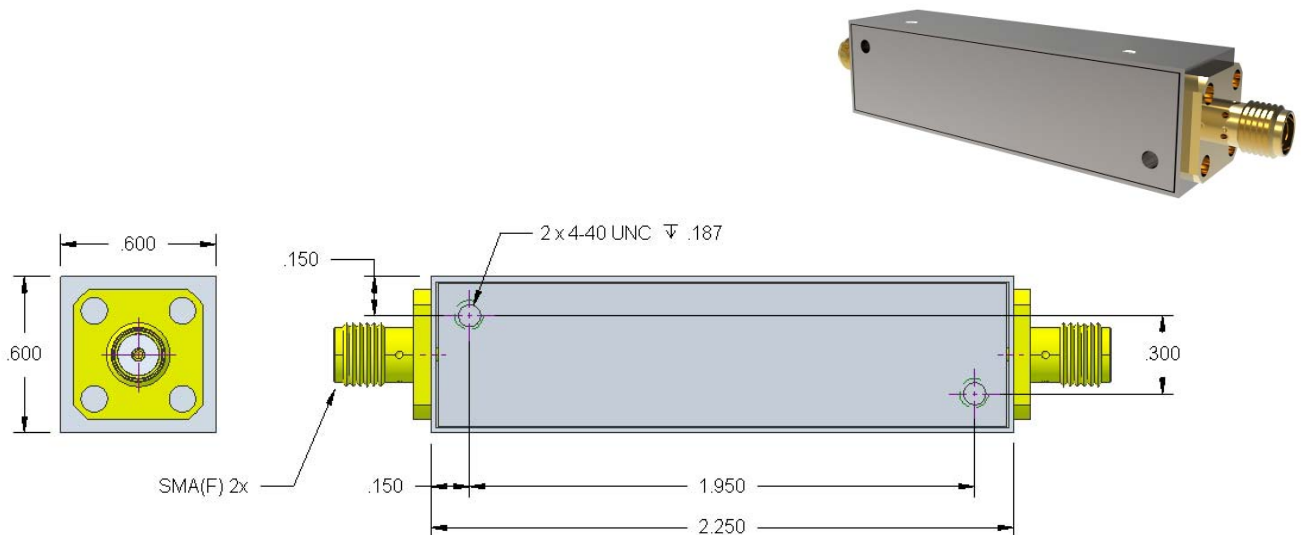
Web [www.krfilters.com](http://www.krfilters.com)  
Email [sales@krfilters.com](mailto:sales@krfilters.com)  
Phone (732) 636-1900  
Fax (732) 636-1982

# KR 2441 Bandpass

## Specifications

Parameter	Specification
Filter type	Bandpass
Center Frequency	70 MHz
Insertion Loss	< 5 dB
Min 1 dB Bandwidth	7 MHz
Max 55 dB Bandwidth	23 MHz
Source and Load	50 Ω

## Physical Dimensions



**Notes:**

1. Dimensions in inches
2. Metal Case
3. SMA(F) Connectors
4. Also available in surface mount package