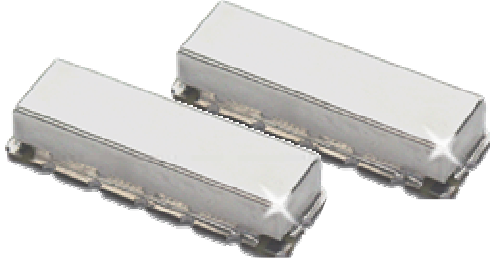


KR 2435-84 Bandpass Filter

General Description

KR 2435-84 is a surface mount bandpass filter. Other center frequencies and bandwidths available. Please consult the factory.



Features

- Surface Mount Package
- Sharp Transition to Stopband
- >50 dB Stopband
- 50 Ω Source and Load

Typical Performance

Passband Amplitude & Group Delay
(1 dB/div and 20 nsec/div)

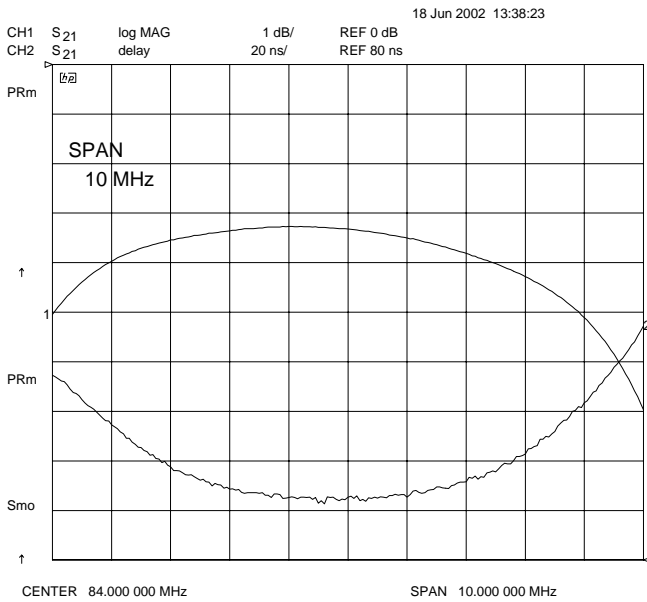


Figure 1

Overall Response
(10 dB/div)

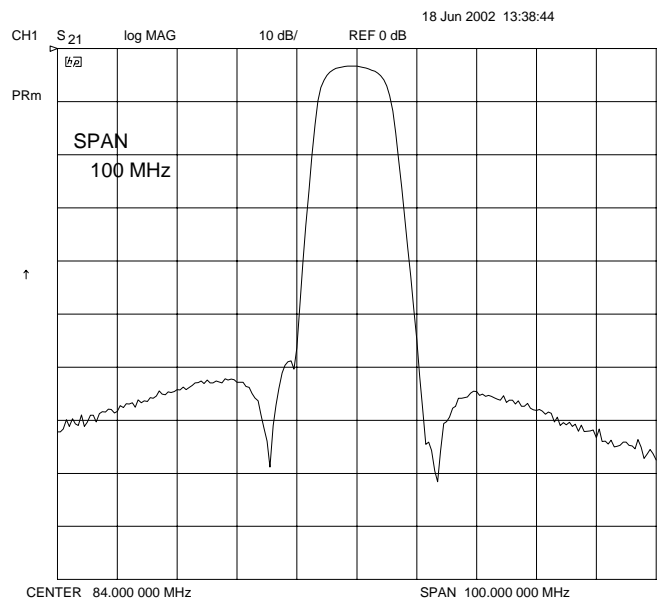


Figure 2

KR Electronics, Inc.
91 Avenel Street
Avenel, NJ 07001

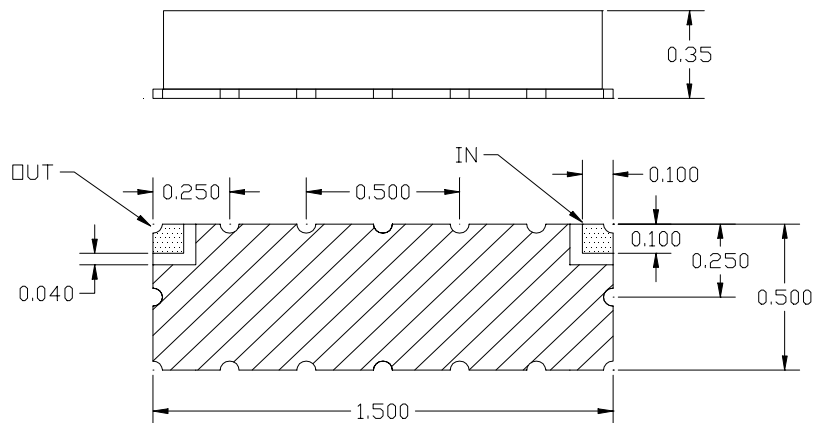
Web www.krfilters.com
Email sales@krfilters.com
Phone (732) 636-1900
Fax (732) 636-1982

KR 2435-84 Bandpass

Specifications

| Parameter | Specification |
|---------------------|---------------|
| Filter type | Bandpass |
| Center Frequency | 84 MHz |
| Insertion Loss | < 4 dB |
| Min 3 dB Bandwidth | 8 MHz |
| Max 50 dB Bandwidth | 21 MHz |
| Passband VSWR | < 1.4:1 |
| Source and Load | 50 Ω |
| | |
| | |

Physical Dimensions



Notes:

1. Surface mount package — Metal cover, open frame
2. Dimensions in inches
3. Use SN60 or SN63 solder during installation
4. If boards are cleaned after installation, units must be completely dried to remove any entrapped moisture that will effect electrical performance