

# KR Electronics, Inc.

## General Description

KR 2416-100 is a 100 MHz lowpass filter. Other passband frequencies are available. Please consult the factory.

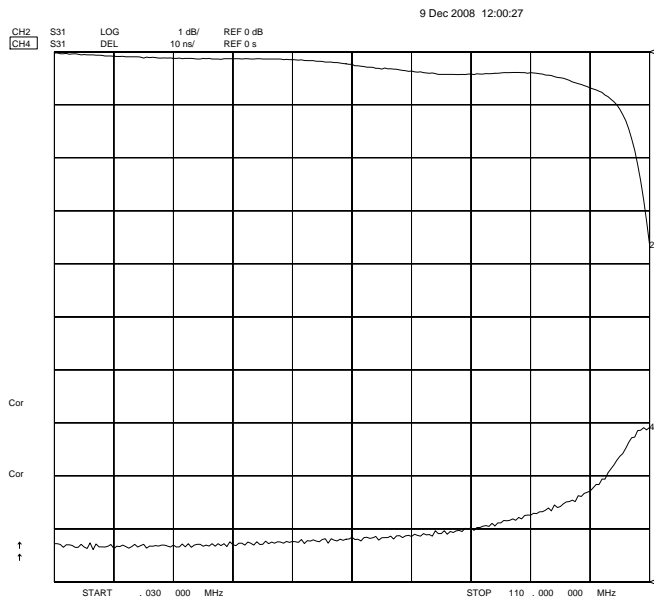


## Features

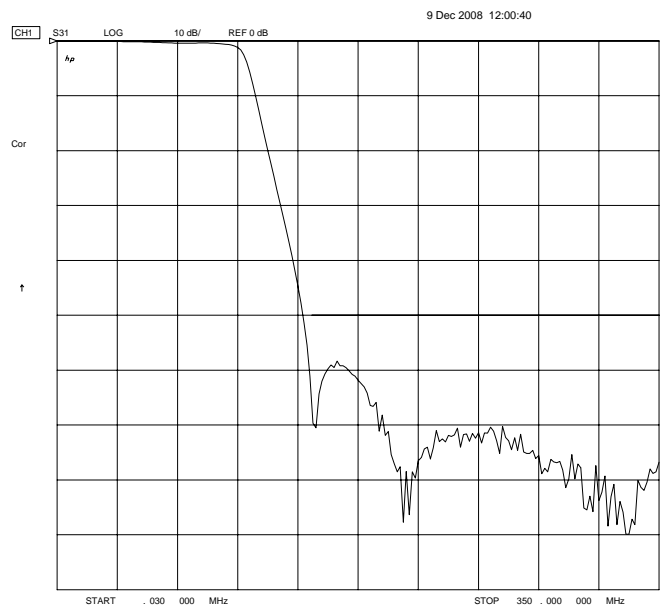
- Surface Mount Package
- Sharp 1.48:1 Transition to Stopband
- 50 dB Stopband
- 50  $\Omega$  Source and Load

## Typical Performance

**Passband Amplitude & Group Delay**  
(1 dB/div and 10 nsec/div)



**Overall Response**  
(10 dB/div)



KR Electronics, Inc.  
91 Avenel Street  
Avenel, NJ 07001

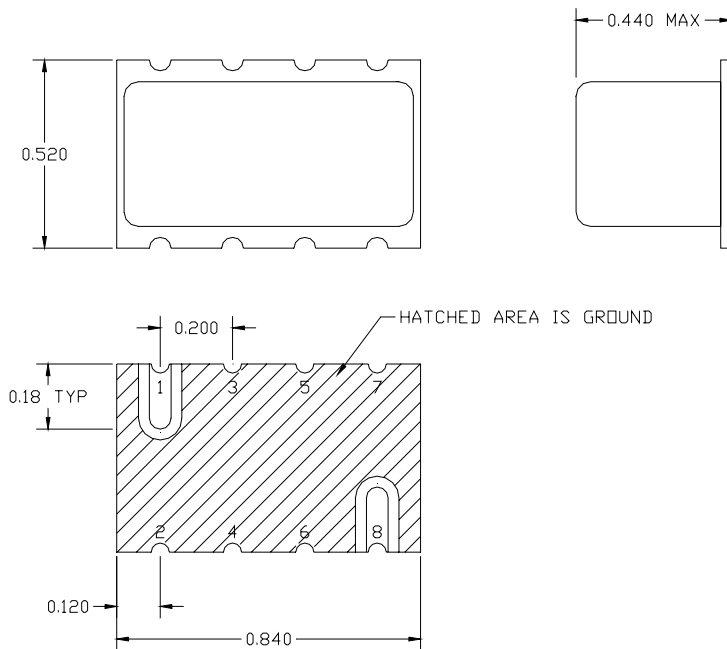
Web [www.krfilters.com](http://www.krfilters.com)  
Email [sales@krfilters.com](mailto:sales@krfilters.com)  
Phone (732) 636-1900  
Fax (732) 636-1982

# KR 2416-100 Lowpass

## Specifications

Parameter	Specification
Filter type	Lowpass
End of Passband (< 3 dB)	100 MHz
Start of Stopband	148 MHz
Stopband Attenuation	> 50 dB
Source & Load	50 Ω

## Physical Dimensions



- NOTES:  
 1. INPUT IS 1  
 2. OUTPUT IS 8  
 3. ALL OTHERS ARE GROUND

KR Electronics, Inc.  
 91 Avenel Street  
 Avenel, NJ 07001

Web [www.krfilters.com](http://www.krfilters.com)  
 Email [sales@krfilters.com](mailto:sales@krfilters.com)  
 Phone (732) 636-1900  
 Fax (732) 636-1982