

# KR 2413 400 Hz Bandpass Filter

## General Description

KR 2413 is a 400 Hz bandpass filter. Other passband frequencies are available. Please consult the factory.

### Features

- 400 Hz Center Frequency
- Passive Design

## Typical Performance

**Passband Amplitude**  
(1 dB/div)

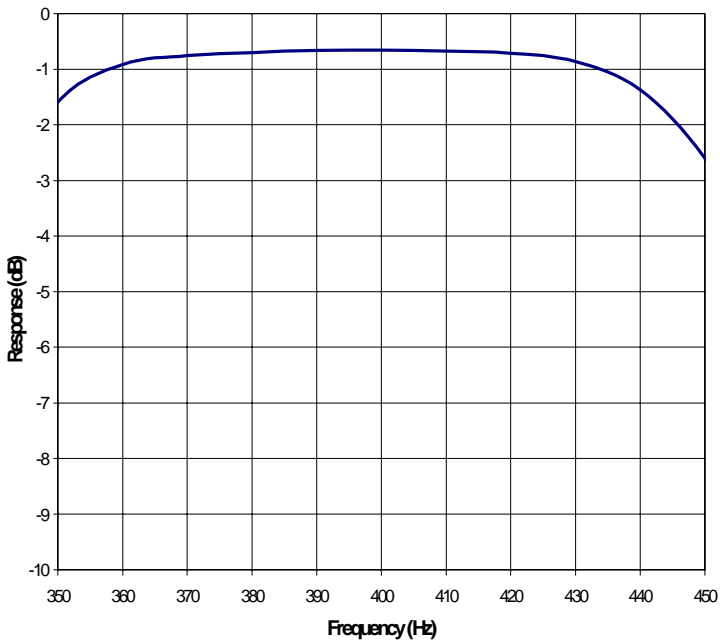


Figure 1

**Overall Response**  
(6 dB/div)

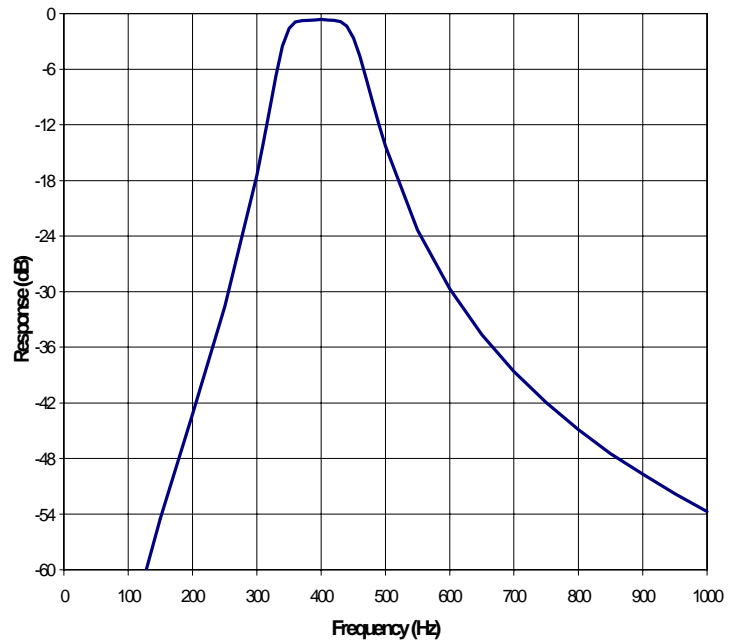


Figure 2

KR Electronics, Inc.  
91 Avenel Street  
Avenel, NJ 07001

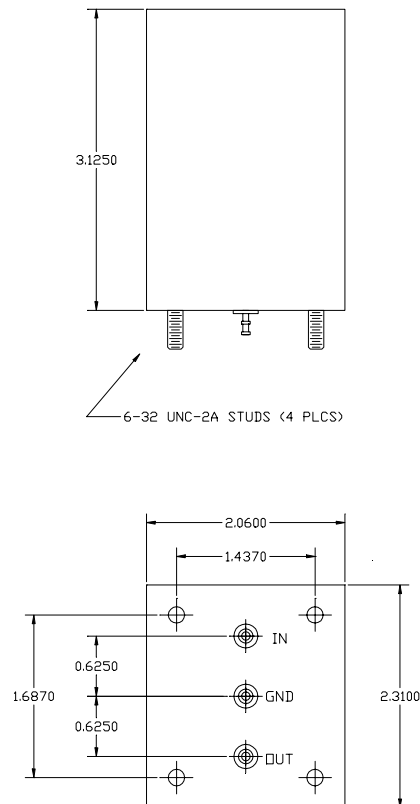
Web [www.krfilters.com](http://www.krfilters.com)  
Email [sales@krfilters.com](mailto:sales@krfilters.com)  
Phone (732) 636-1900  
Fax (732) 636-1982

# KR 2413 Bandpass

## Specifications

Parameter	Specification
Filter type	Bandpass
Insertion Loss	< 1.5 dB
Center Frequency	400 Hz
0.1 dB Bandwidth	> 40 Hz
3 dB Bandwidth	Approx 110 Hz
Attenuation at 200 Hz	> 40 dB
Attenuation at 800 Hz	> 40 dB
Source & Load	16,000 Ω

## Physical Dimensions



KR Electronics, Inc.  
 91 Avenel Street  
 Avenel, NJ 07001

Web [www.krfilters.com](http://www.krfilters.com)  
 Email [sales@krfilters.com](mailto:sales@krfilters.com)  
 Phone (732) 636-1900  
 Fax (732) 636-1982