

KR Electronics

General Description

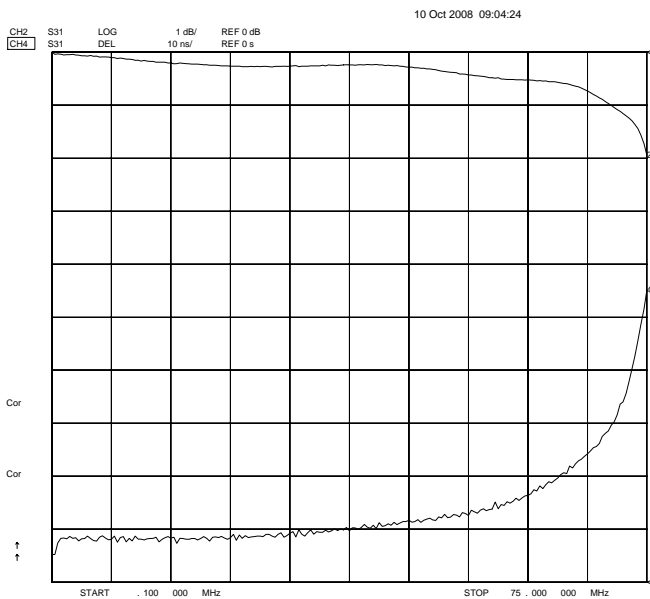
KR 2289-75-S is a 75 MHz surface mount elliptic lowpass filter. The filter has a minimum 4 dB bandwidth of 75 MHz. Other passband frequencies are available. Please consult the factory.

Features

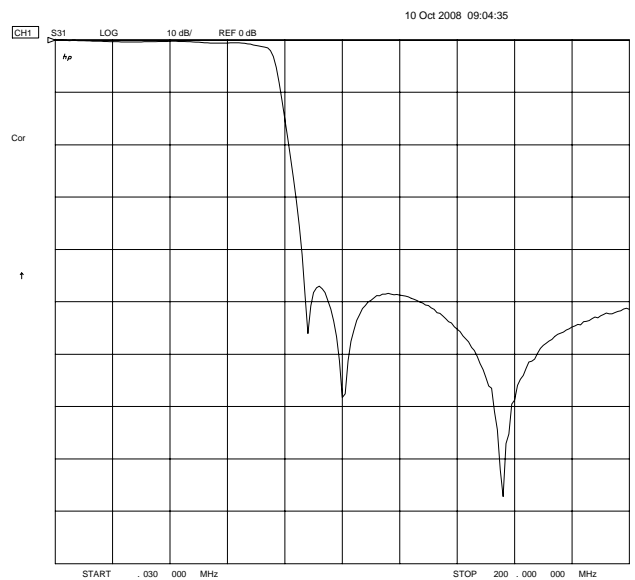
- 75 MHz Passband
- 87 MHz Stopband
- 45 dB Stopband Attenuation
- Surface mount
- 50 Ω Source and Load

Typical Performance

Passband Amplitude & Group Delay (1 dB/div and 10 nsec/div)



Overall Response (10 dB/div)



KR Electronics, Inc.
91 Avenel Street
Avenel, NJ 07001

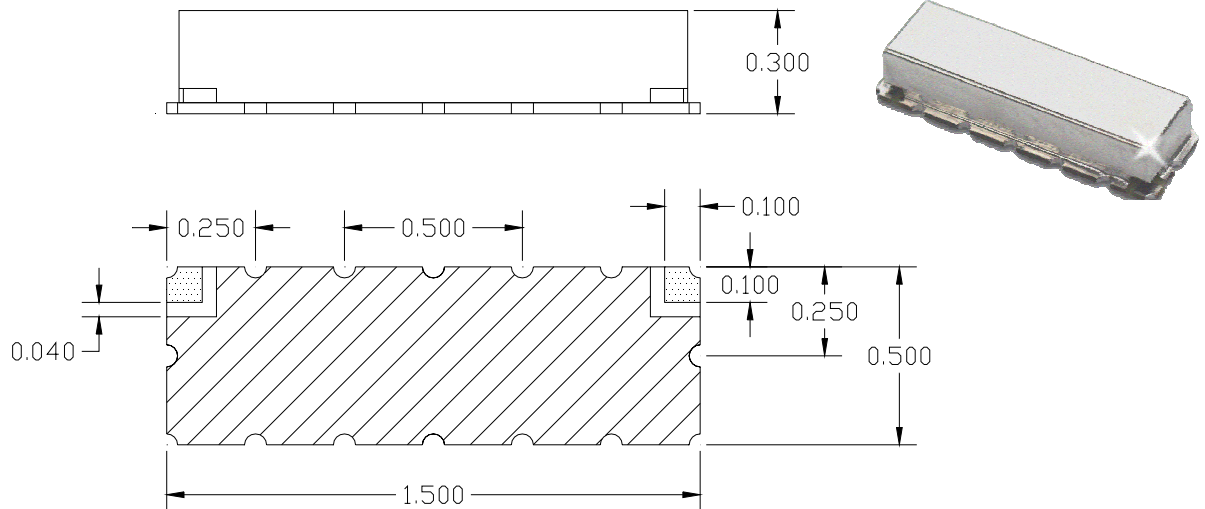
Web www.krfilters.com
Email sales@krfilters.com
Phone (732) 636-1900
Fax (732) 636-1982

KR Electronics 2289-75-S

Specifications

Parameter	Specification
Filter type	Lowpass
End of Passband	75 MHz
Attenuation at 75 MHz	< 4 dB (2 dB typical)
Attenuation at 87 MHz	> 45 dB
Source and Load	50 Ω

Physical Dimensions



Notes:

1. Surface mount package — Metal cover, open frame
2. Dimensions in inches
3. Maximum reflow temperature 209° C for 10 seconds maximum
4. If boards are cleaned after installation, units must be completely dried