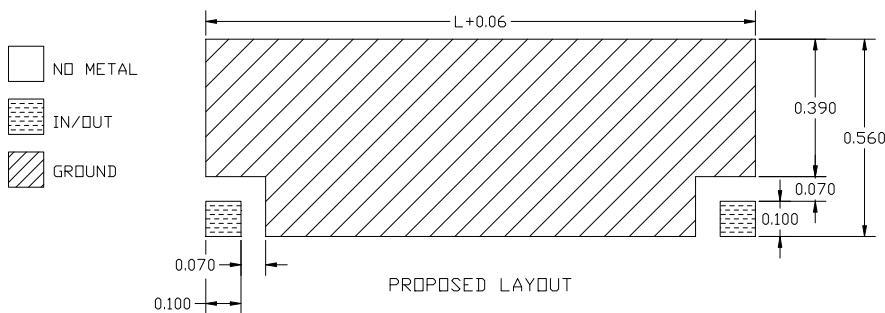
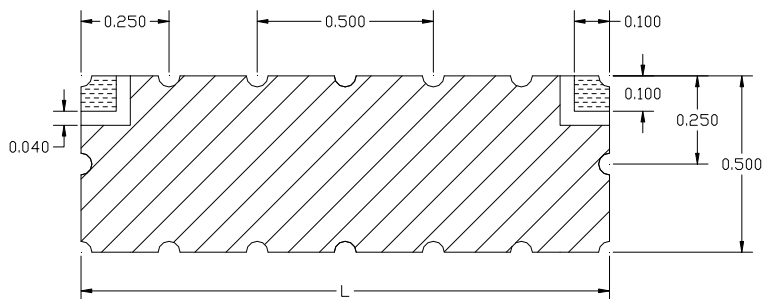
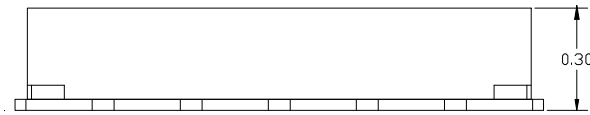
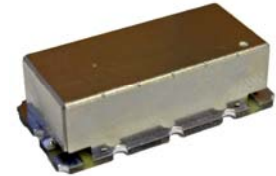


## Outline Drawings

### Surface Mount



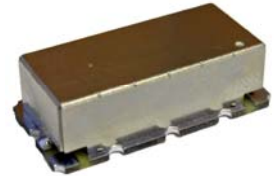
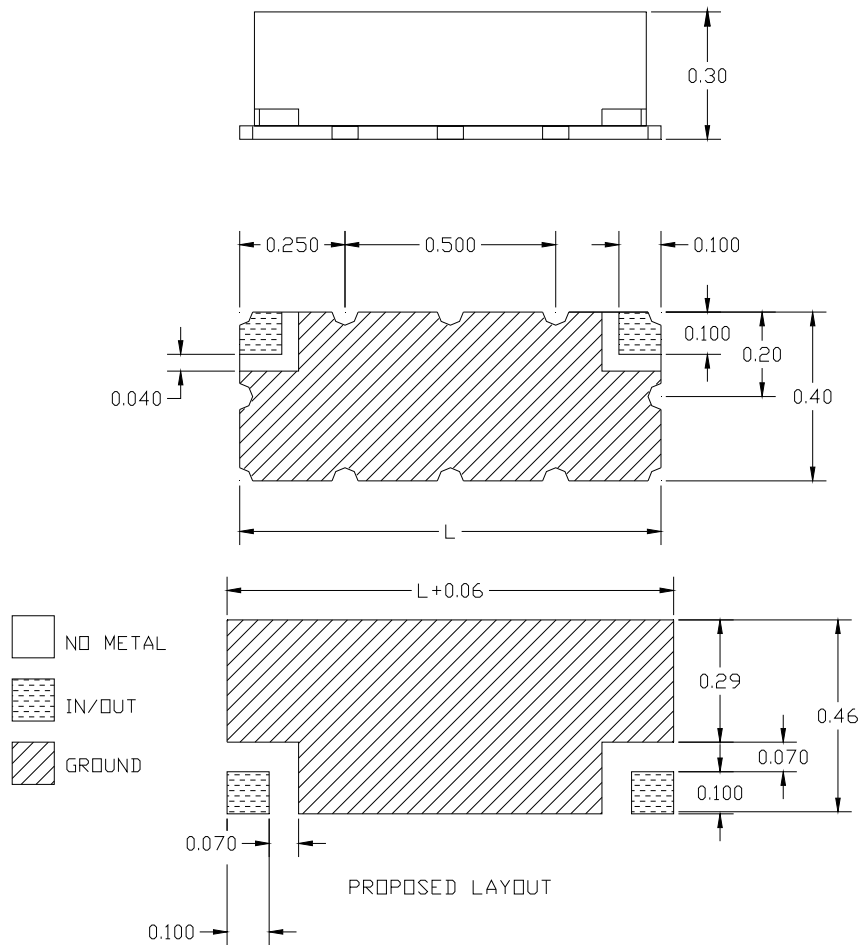
Package Number	L inches
SMD-1-050	0.50
SMD-1-075	0.75
SMD-1-100	1.00
SMD-1-125	1.25
SMD-1-150	1.50
SMD-1-175	1.75
SMD-1-200	2.00
SMD-1-225	2.25
SMD-1-250	2.50

#### Notes:

1. Surface mount package — Metal cover, non-hermetic
2. Dimensions in inches
3. If boards are cleaned after installation, dry completely to remove any moisture.
4. The customer should verify that the proposed layout will be acceptable for their application
5. Other configuration are available. Contact the factory with your requirements

## Outline Drawings

### Surface Mount



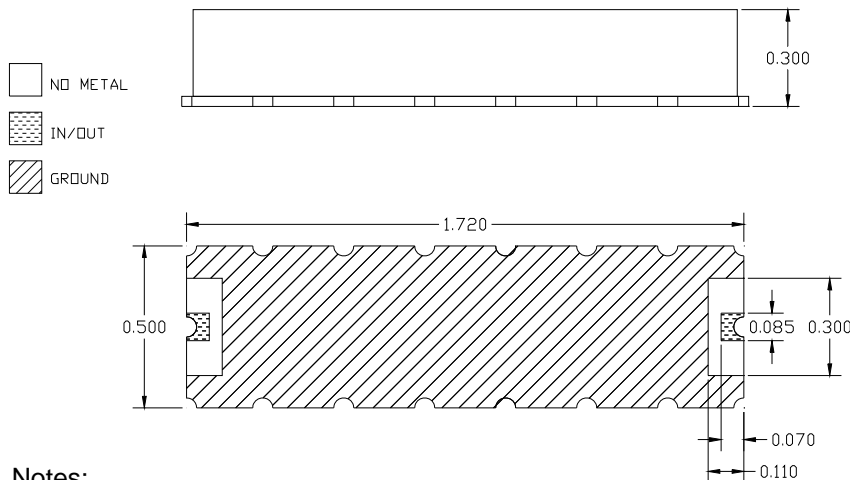
Package Number	L inches
SMD-2-050	0.50
SMD-2-075	0.75
SMD-2-100	1.00
SMD-2-125	1.25
SMD-2-150	1.50
SMD-2-175	1.75
SMD-2-200	2.00
SMD-2-225	2.25
SMD-2-250	2.50

#### Notes:

1. Surface mount package — Metal cover, non-hermetic
2. Dimensions in inches
3. If boards are cleaned after installation, dry completely to remove any moisture.
4. The customer should verify that the proposed layout will be acceptable for their application
5. Other configuration are available. Contact the factory with your requirements

Outline Drawings

Surface Mount

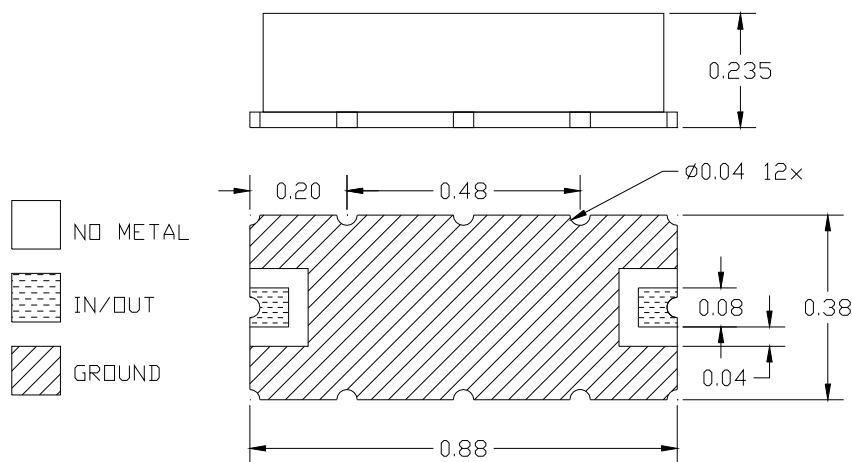


Package Number	L inches
<b>SMD-3-172</b>	<b>1.72</b>

Notes:

1. Surface mount package — Metal cover, non-hermetic
2. Dimensions in inches
3. If boards are cleaned after installation, dry completely to remove any moisture.
4. Other configuration are available. Contact the factory with your requirements

Surface Mount



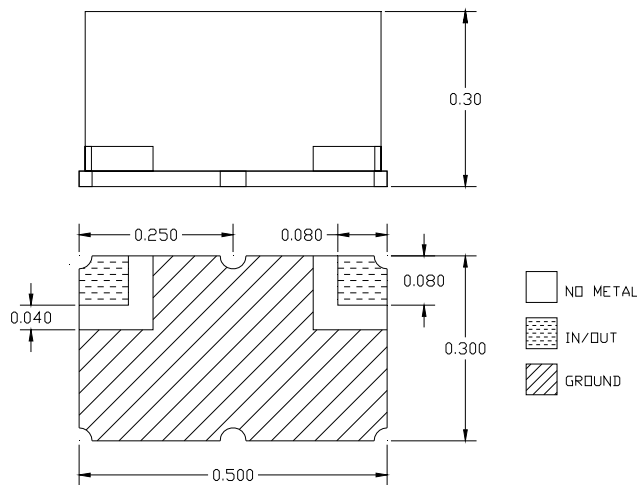
Package Number	L inches
<b>SMD-4-088</b>	<b>0.88</b>

Notes:

1. Surface mount package — Metal cover, non-hermetic
2. Dimensions in inches
3. If boards are cleaned after installation, dry completely to remove any moisture.
4. Other configuration are available. Contact the factory with your requirements

Outline Drawings

Surface Mount

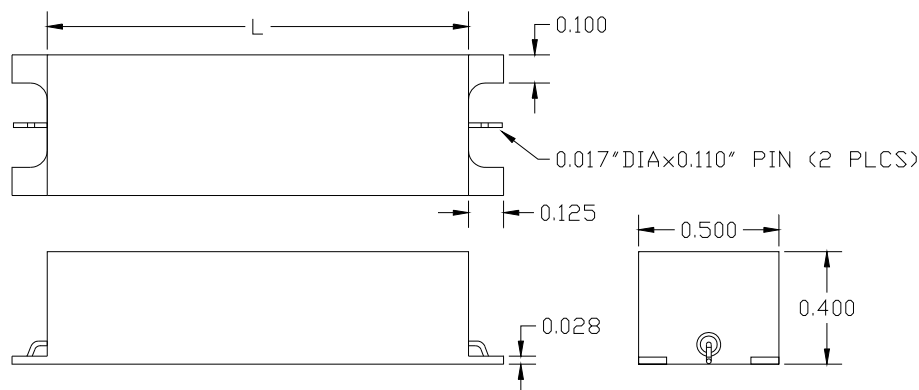


Package Number	L inches
<b>SMD-5-050</b>	<b>0.50</b>

Notes:

1. Surface mount package — Metal cover, non-hermetic
2. Dimensions in inches
3. If boards are cleaned after installation, dry completely to remove any moisture.
4. Other configuration are available. Contact the factory with your requirements

Surface Mount



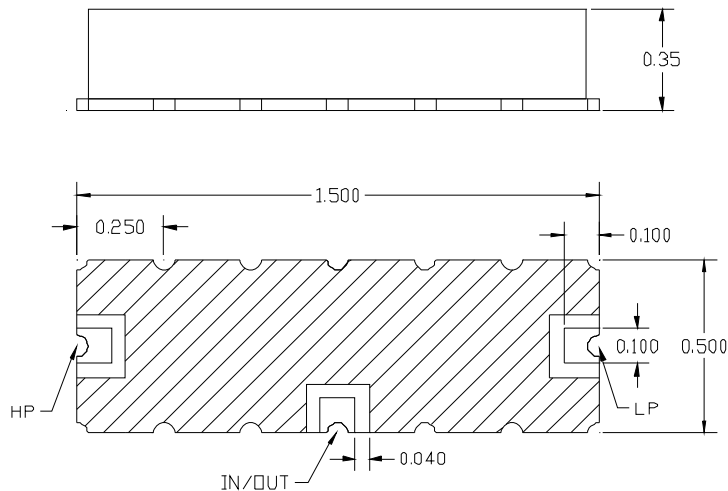
Package Number	L inches
<b>SMD-6-100</b>	<b>1.00</b>
<b>SMD-6-125</b>	<b>1.25</b>
<b>SMD-6-150</b>	<b>1.50</b>
<b>SMD-6-175</b>	<b>1.75</b>
<b>SMD-6-200</b>	<b>2.00</b>

Notes:

1. Surface mount package — Metal cover, hermetic
2. Dimensions in inches
3. If boards are cleaned after installation, dry completely to remove any moisture.
4. Other configuration are available. Contact the factory with your requirements

## Outline Drawings

### Surface Mount—Diplexer

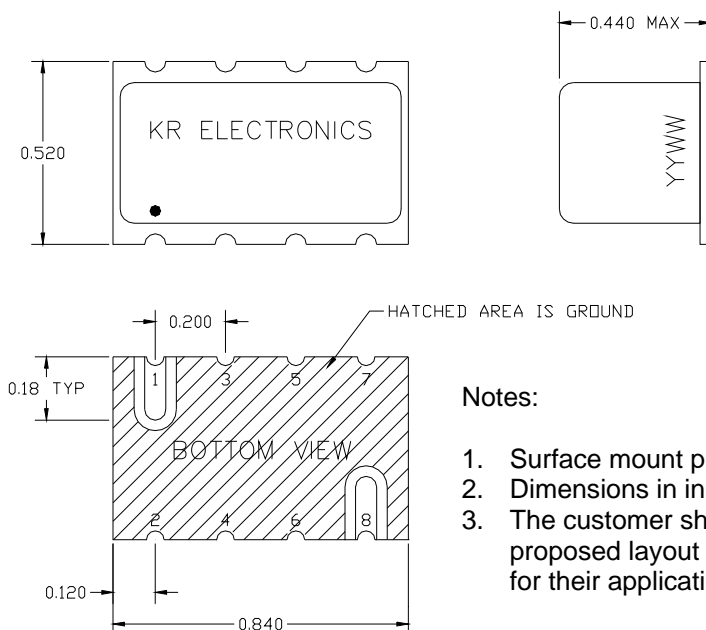


Package Number	L inches
<b>SMD-7-150</b>	<b>1.50</b>

**Notes:**

1. Surface mount package — Metal cover, non-hermetic
2. Dimensions in inches
3. If boards are cleaned after installation, dry completely to remove any moisture.
4. Other configuration are available. Contact the factory with your requirements

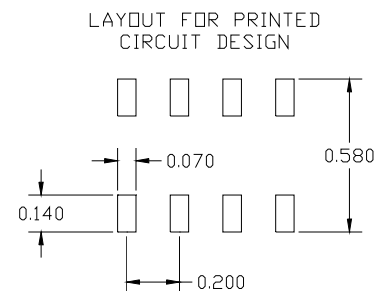
### Surface Mount



Package Number	L inches
<b>SMD-8-084</b>	<b>0.84</b>

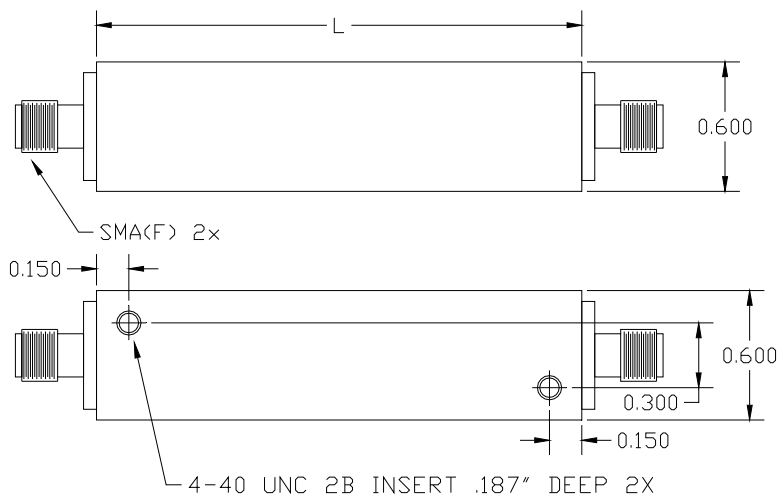
**Notes:**

1. Surface mount package
2. Dimensions in inches
3. The customer should verify that the proposed layout will be acceptable for their application



Outline Drawings

SMA Package

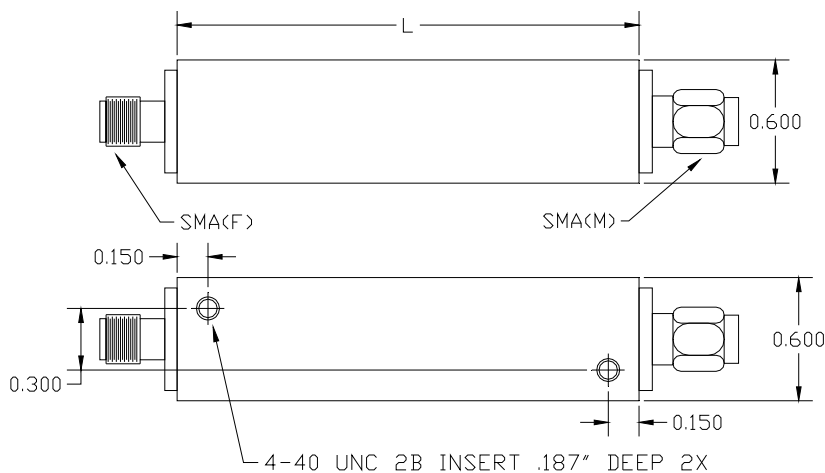


Package Number	L inches
SMA-1-100	1.00
SMA-1-125	1.25
SMA-1-150	1.50
SMA-1-175	1.75
SMA-1-200	2.00
SMA-1-225	2.25

Notes:

1. Rectangular metal case
2. Dimensions in inches
3. Other configurations are available. Contact the factory with your requirements.

SMA Package



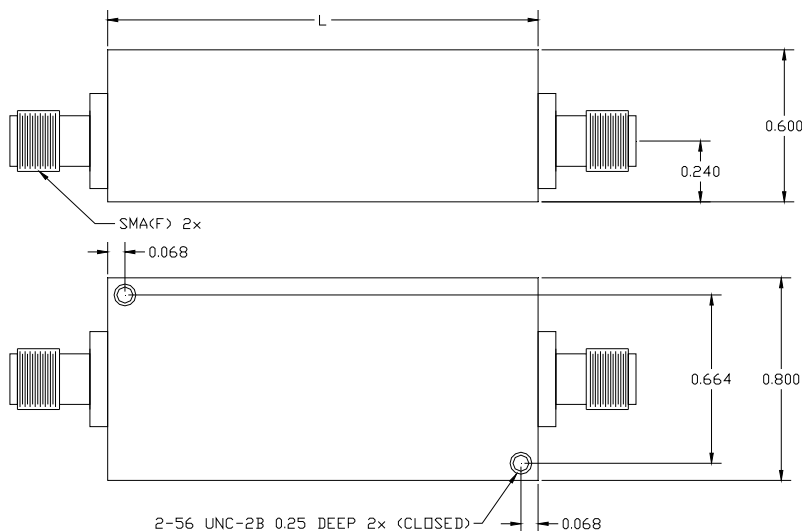
Package Number	L inches
SMA-2-100	1.00
SMA-2-125	1.25
SMA-2-150	1.50
SMA-2-175	1.75
SMA-2-200	2.00
SMA-2-225	2.25

Notes:

1. Rectangular metal case
2. Dimensions in inches
3. Other configurations are available. Contact the factory with your requirements.

Outline Drawings

SMA Package

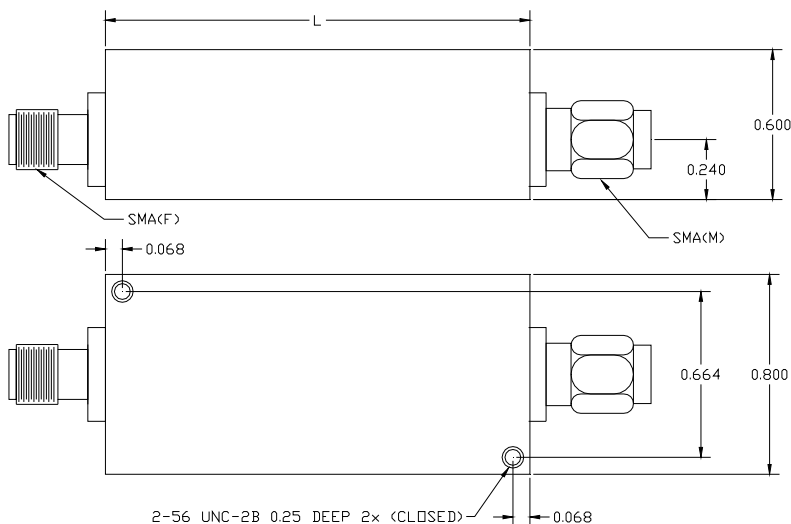


Package Number	L inches
SMA-3-100	1.00
SMA-3-125	1.25
SMA-3-150	1.50
SMA-3-170	1.70
SMA-3-200	2.00
SMA-3-225	2.25

Notes:

1. Rectangular metal case
2. Dimensions in inches
3. Other configurations are available. Contact the factory with your requirements.

SMA Package



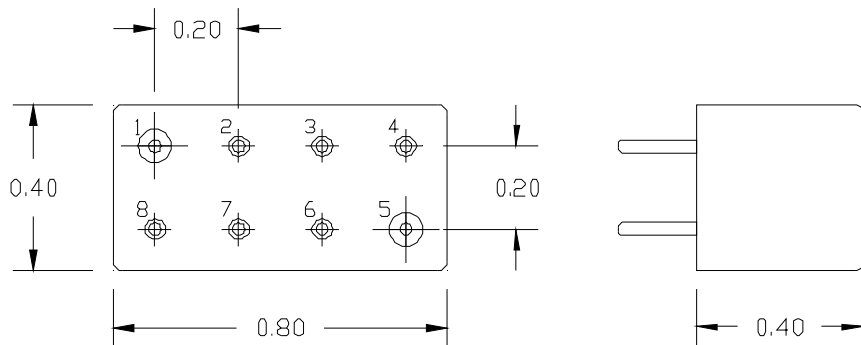
Package Number	L inches
SMA-4-100	1.00
SMA-4-125	1.25
SMA-4-150	1.50
SMA-4-170	1.70
SMA-4-200	2.00
SMA-4-225	2.25

Notes:

1. Rectangular metal case
2. Dimensions in inches
3. Other configurations are available. Contact the factory with your requirements.

Outline Drawings

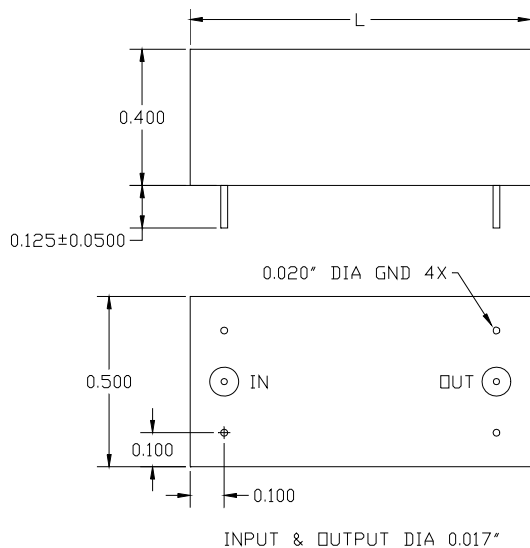
DIP Package



**Package Number**  
**DIP-1-080**

Metal Case  
Pin 1 is Input Pin 5 is Output  
All other Pins are Ground  
All leads .030" diameter  
Dimensions inches

PC Pins Package



Package Number	L inches
PCB-1-075	0.75
PCB-1-100	1.00
PCB-1-150	1.50
PCB-1-175	1.75
PCB-1-200	2.00

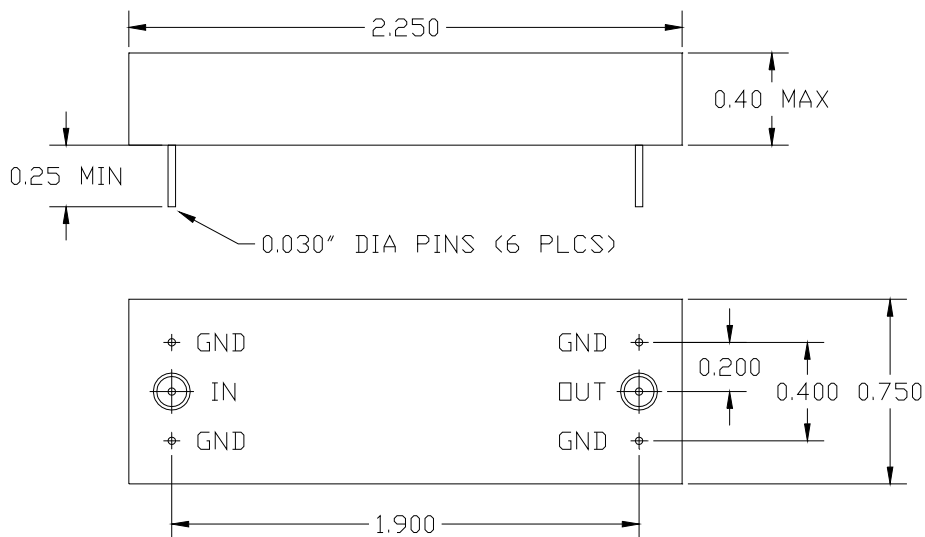
Notes:

1. Rectangular metal case
2. Dimensions in inches
3. Other configurations are available. Contact the factory with your requirements.



## Outline Drawings

### PC Pins Package

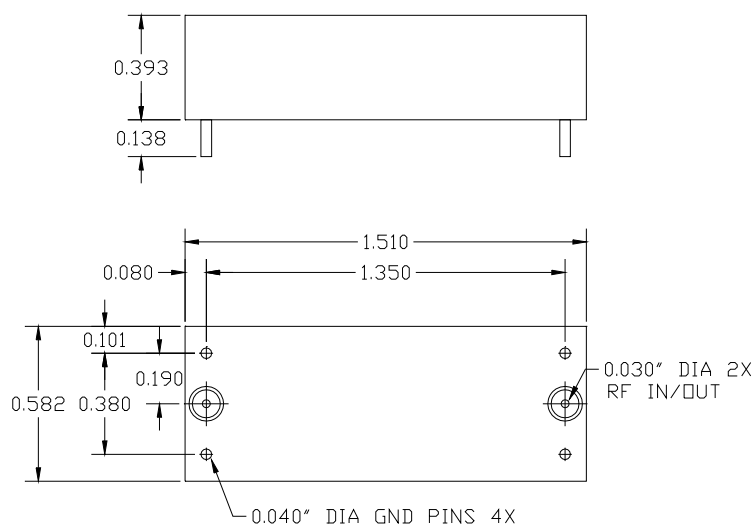


Package Number	L inches
PCB-2-225	2.25

**Notes:**

1. Rectangular metal case
2. Dimensions in inches
3. Other configurations are available. Contact the factory with your requirements.

### PC Pins Package

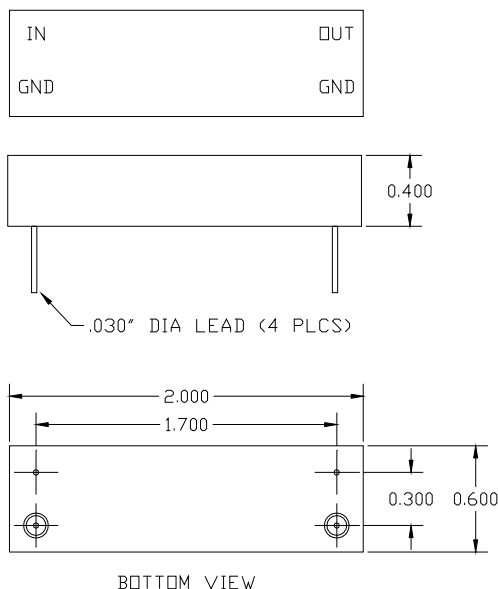


Package Number	L inches
PCB-3-1.51	1.51

**Notes:**

1. Rectangular metal case
2. Dimensions in inches
3. Other configurations are available. Contact the factory with your requirements.

Outline Drawings  
PC Pins Package

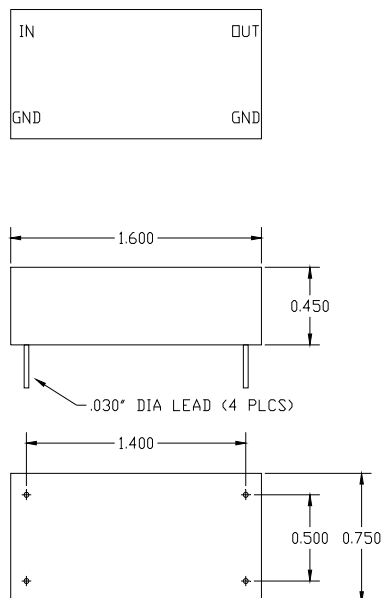


Package Number	L inches
PCB-4-200	2.00

Notes:

1. Rectangular metal case
2. Dimensions in inches
3. Other configurations are available. Contact the factory with your requirements.

PC Pins Package



Package Number	L inches
PCB-5-1.6	1.60

Notes:

1. Rectangular epoxy case
2. Dimensions in inches
3. Other configurations are available. Contact the factory with your requirements.